

MSG97



554



GRAMMER

1 069 421

GRAMMER: *Seating comfort for high demands!*

*You have acquired a **GRAMMER** seat. Congratulations!*

Take your seat please, and enjoy the ultimate in seating comfort and safety. You will be enjoying a driver seat characterized by user-friendliness and a high degree of adaptability.

With your new seat you are not only preserving your health; you are improving your performance and efficiency as well.

*Have a good trip, with best wishes from
your **GRAMMER** Team*

Imprint

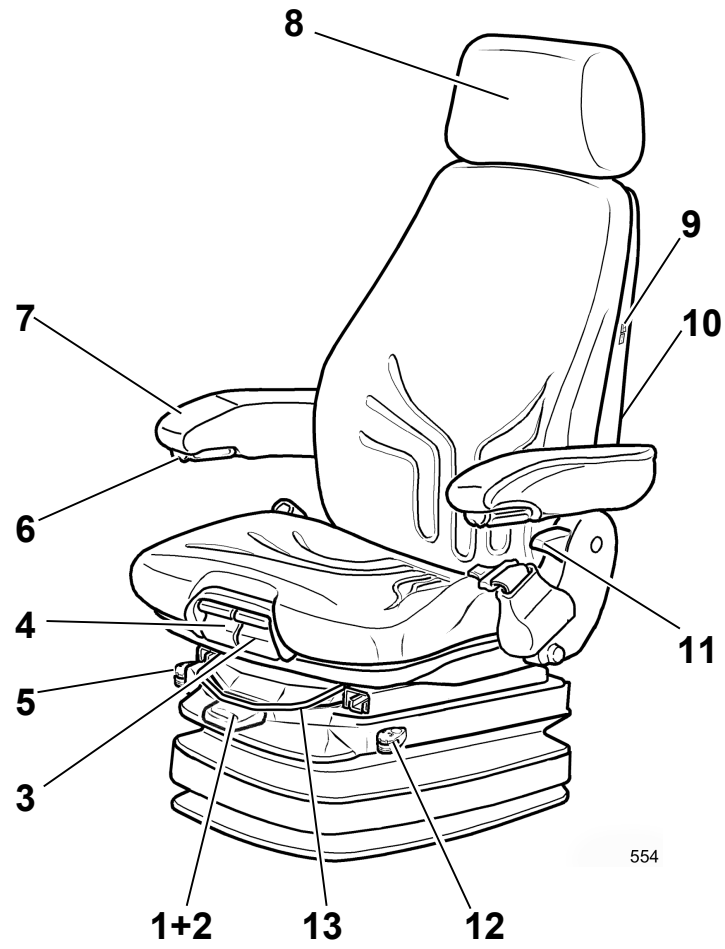
Copyright © **GRAMMER** Corp.

GRAMMER AG
Postfach 1454
D-92204 Amberg

Reprinting, reproduction or translation,
in whole or in part, requires the written
permission of the **GRAMMER** Corporation.

Amberg, 04/2003





Operating instructions

Contents

General instructions	
Safety instructions	
Seat functions and operation	
1 Weight adjustment	
2 Height adjustment	
3 Seat pan angle adjustment	
4 Seat depth adjustment	
5 Absorber	
6 Armrest adjustment *	
7 Armrests * **	
8 Headrest * **	
9 Seat heater * **	
10 Lumbar support	
11 Backrest adjustment	
12 Fore/aft isolator	
13 Fore/aft adjustment	
Maintenance	

* if fitted ** optional extra



General instructions

- The operating instructions should be read in full before use.
- The operating instructions should be kept in the vehicle and always be at hand.
- The driver seat may only be fitted, serviced and repaired by specialist personnel, in accordance with national regulations and the vehicle manufacturer's fitting instructions. In the event of incorrect assembly and/or repair, all warranty and liability claims shall be null and void.
The national fitting regulations can be obtained from **GRAMMER** or from agencies of the company, or from the vehicle manufacturer.
- A correctly functioning and individually adjusted driver seat is essential to your health. Take adequate care of your seat and have it serviced regularly to ensure that it functions correctly.



The functional checks should be carried out at least as regularly as vehicle services (see maintenance plan for vehicle).



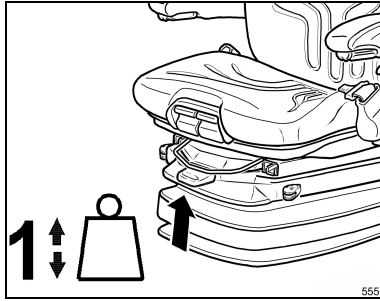
Safety instructions

- When making connections to the vehicle electrical system, pay attention to the information on the rating plate (on the rear spring; push seat right forward to read). The seat connection must be separately fused:
 - at 12V 11A (19A at seat heater)
 - at 24V 9A (13A at seat heater)
- To prevent damage to the driver's back, the seat must be adjusted for the driver's weight **before use** and **before every change of driver**.
- To prevent injury, **no objects should be placed within the moving area** of the driver seat.
- To eliminate any risk of accident, the settings must be checked to ensure they are correctly engaged before the vehicle is driven.
- Adjustments must **not** be made **while driving**.
- **When the backrest upholstery has been removed**, the backrest frame must be supported, for example held in place, before the backrest adjuster is operated. If you fail to do so, there is a **danger that the backrest frame may jerk forward and cause injury**.

Safety instructions

- **If you make any changes to the standard seat** (for example fitting parts which are not original **GRAMMER** parts) it may no longer meet the safety standards to which it is tested. **Functions may be impaired**, threatening your **safety**. For this reason, **any change in design of the seat** must be approved by **GRAMMER**.
- Seatbelts can be retrofitted to the driver seat. Seatbelts **may only be fitted on the approval of the vehicle manufacturer**, as they increase the load in the seat mounting area.
Seatbelts must be fitted in accordance with specific national regulations and guidelines, and must be approved by **GRAMMER**.
- Seatbelts must be fastened **before driving**.
The seatbelts must be replaced after an accident.
Where seatbelts are fitted to the driver seat, the **seat** and **seat mounting** must be checked **additionally** by specialist personnel after an accident has occurred.
- Fasteners must be **checked regularly for tightness**. If the seat wobbles there may be loose bolts or other faults.
If the seat does not function correctly (for example the seat suspension), **contact a specialist workshop immediately** to arrange for repairs to be carried out.
If you fail to do so, your health may be affected and the **risk of accident increased**.
- Seats with a built-in switch (to deactivate component units when leaving the seat or the vehicle) may only be installed **with the prior approval of the vehicle manufacturer**, and may only be operated together with additional safety devices in the vehicle.
- Before driving the vehicle, the **function** of any switches fitted in the seat must be checked.
If malfunctions are detected the vehicle must not be driven.
– **INCREASED RISK OF ACCIDENT** –
- **Loads must not be placed on seats with a built-in switch**, except for the driver's weight during normal use, as the vehicle may otherwise start to move by itself.
– **INCREASED RISK OF ACCIDENT** –
- **GRAMMER** can provide no guarantee for damage resulting from incorrect assembly, use or repair of the driver seats.


Seat functions and operation




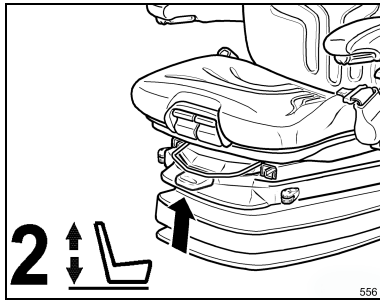
Weight adjustment

The seat should be adjusted for the driver's weight by briefly pulling the actuator lever of the automatic weight and height adjuster (arrow) with the vehicle at a standstill and the driver sitting on the seat.

The driver must sit absolutely still during adjustment.

 Before adjusting the weight, adjust shock absorbers to the position "soft".


 To prevent damage to the health, the setting for the driver's weight must be checked and adjusted as necessary before the vehicle is driven.




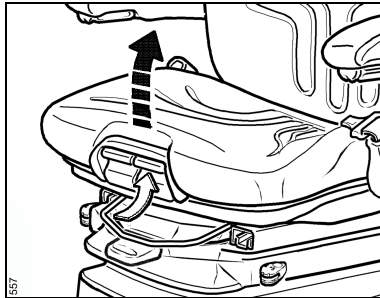
Height adjustment

The seat height can be set pneumatically and is continuously adjustable.

The seat height can be altered by pulling or pressing the actuator lever fully out or in (arrow). If the adjustment reaches the top or bottom endstop, the height is adjusted automatically in order to guarantee a minimum spring travel.

 Before adjusting the height, adjust shock absorbers to the position "soft".

 In order to avoid damage, do not operate compressor for more than 1 minute.



Seat pan angle adjustment

The angle of the seat pan can be individually adjusted.

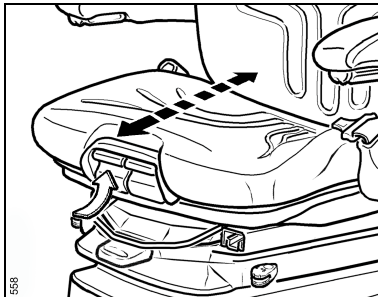
To adjust the angle of the seat pan, lift the L/H handle (see arrow). By exerting pressure on or off the seat pan it can be moved to the desired angle position.

Seat functions and operation

Seat depth adjustment

The depth of the seat pan can be individually adjusted.

To adjust the depth of the seat cushion, lift the R/H handle (see arrow). By moving the seat cushion backwards or forwards the desired seating position can be reached.

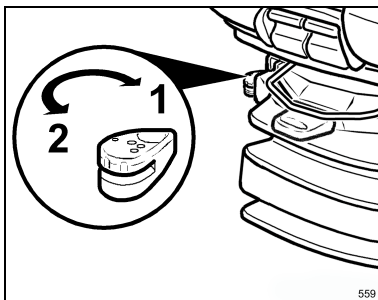


Absorber

The absorber setting of the seat can be varied to suit the on and off-road driving conditions. The cushioning effect can be individually adjusted for this purpose.

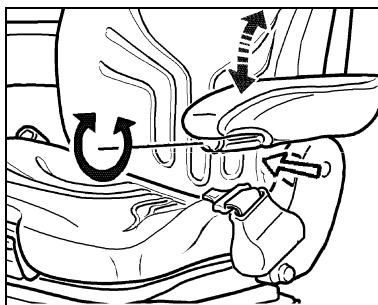
Turn the lever to the desired position and release

- 1 soft
- 2 hard



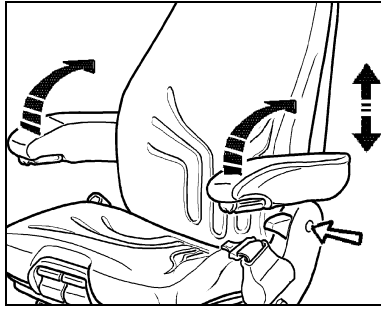
Armrest adjustment *

The inclination of the armrests can be modified by turning the adjustment knob (arrow).



* if fitted

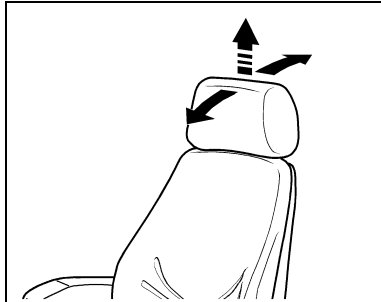
Seat functions and operation



Armrests * **

The armrests can be folded up if required and the height individually adjusted.

To adjust the armrests for height, separate the round cap (see arrow) from the cover, loosen the hexagon nut (size 13mm), adjust the armrest to the desired position and tighten the nut again. Press the previously separated cap cover back onto the nut.

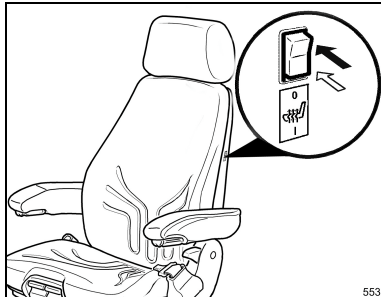


Headrest * **

The headrest can be individually adjusted for height by pulling it upward over the various increments up the end stop.

By pushing forward or rearward the angle of the headrest can be adjusted individually.

To remove the headrest, pull it over the end stop.



Seat heater * **

The seat heater is turned on by pressing the switch.

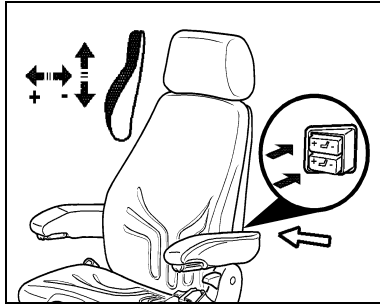
* if fitted ** optional extra

Seat functions and operation

Lumbar support


The curve of the backrest cushion can be individually adjusted by pressing the upper and lower switches.

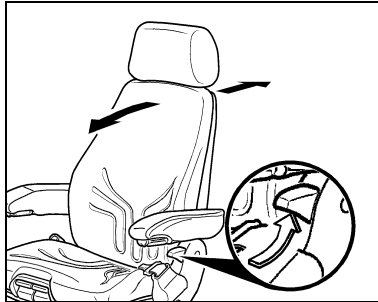
This increases both the seating comfort and the performance of the driver.



Backrest adjustment

The backrest is adjusted using the locking lever (arrow).

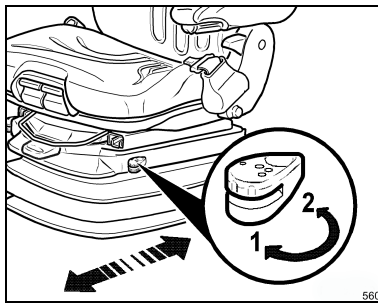
 The locking lever must latch into the desired position. It should not be possible to move the backrest into another position when it is locked.



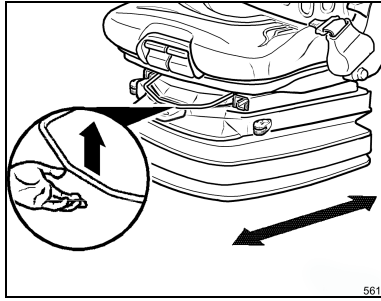
Fore/aft isolator

Under certain driving conditions (for example with a trailer attached), it is useful to activate the fore/aft isolator. This means that shock impacts in the driving direction can be better absorbed by the driver seat.

Position 1 = fore/aft isolator off
Position 2 = fore/aft isolator on



Seat functions and operation

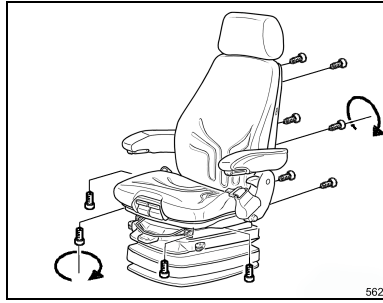


Fore/aft adjustment

The fore/aft adjustment is released by lifting the locking lever.

☞ The locking lever must latch into the desired position. It should not be possible to move the driver seat into another position when it is locked.

Maintenance



Dirt can impair the function of the seat, so make sure you keep your seat clean!

Upholstery can be quickly and simply removed from the seat frame for easy cleaning, or replacement.



Caution: take care with the backrest frame - it may jerk forward and cause injury!

During cleaning the upholstery should not be soaked through.

Use a standard commercially available **upholstery or plastics cleaning agent**. **Test first for compatibility** on a small, concealed area.